

Thank you for purchasing our garden post for supplying electricity to outdoor areas, gardens and orchards. Please read this manual carefully and pay attention to the safety warnings and instructions before using the device. This will ensure not only the protection of persons, but also the long-term viability of the device.

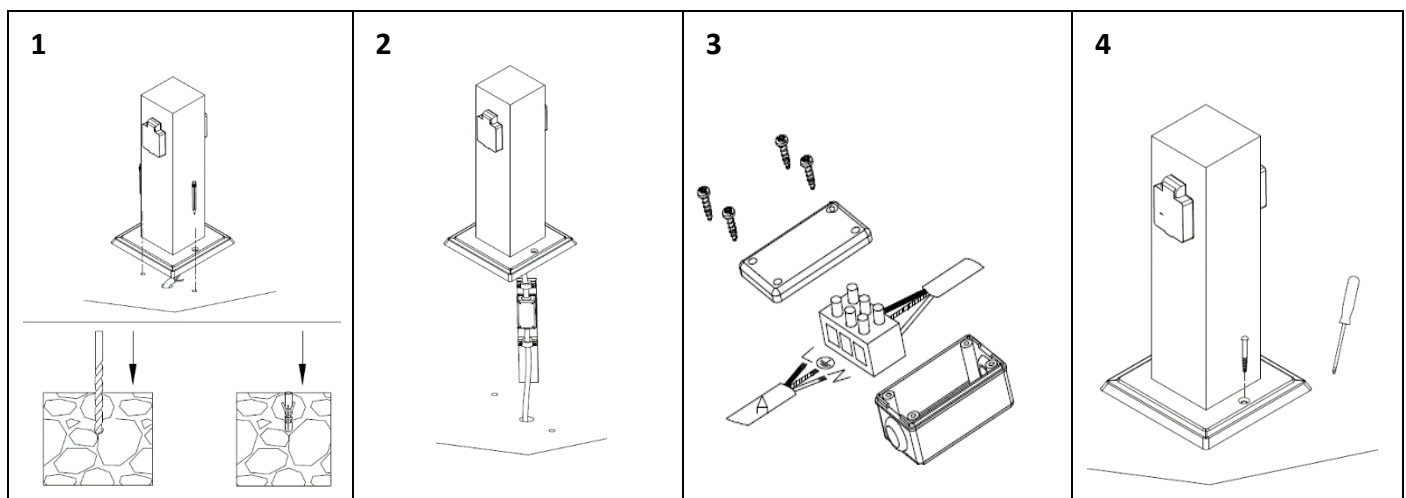
TECHNICAL PARAMETERS

Drawers	2 sockets with child fuses, max. 16A, max. 3680W/230V~
Degree of protection	IP44
Dimensions of the column	8 x 8 x 23cm
Dimensions of the base	12,5 x 12,5cm

INSTALLATION

Switch off the power supply before installation!

1. At the selected position (on a solid surface), drill two holes in the base and insert dowels into them.
(Measure the distance between the holes using the holes in the bottom of the device).
2. Thread the supply cable through the hole in front of the terminal block.
3. Unscrew the four screws from the terminal cover and open it.
4. Connect the supply cable to the terminal block and make sure that the wiring is correct (The wiring is marked on the terminal block).
5. Put the gasket back on and screw on the terminal cover. Then insert the entire terminal block into the post body so that it does not touch the ground.
6. Screw the post to the base.
7. Switch on the power supply.



SAFETY NOTICE

- The product is intended for installation on solid surfaces only.
- Do not modify or repair the equipment.
- Do not interfere with the wiring, do not exceed the permitted load.
- Before cleaning, disconnect the product from the mains and unplug the power cord from its socket.
- Do not immerse the product in water! Protect from contact with fluxes and high temperature areas.
- Installation may only be carried out by a qualified person in accordance with the relevant regulations.
- Solight Holding s.r.o. is in no way liable for damage to property or personal injury caused by improper installation or improper use

